



Ice & Water Dispenser

Model Number

DISP-500-IND-TF



FEATURES

- Touch-Free—Foot pedal activated ice and water dispensing
- Single water inlet connection
- Meets OSHA Requirements and Complies with California T8CCR-3395
- Seamless polyethylene liner with coved corners
- 48" wide cooler drip tray with removeable shelf
- 1 ½" foamed in-place polyurethane insulation
- Fully welded stainless steel auger and agitator
- 1/2 HP motor(s) with torque overload and recovery
- 110 volt, single phase, 15 amp power 50/60 hz
- Adjustable flanged feet
- Factory installed drain
- **Not to be used with softer ice such as Flake or Nugget**



Toll Free Phone: 1-800-346-3246

Local Phone: (303) 761-1615

E-mail: sales@kloppenberg.com

www.kloppenberg.com

APPLICATIONS

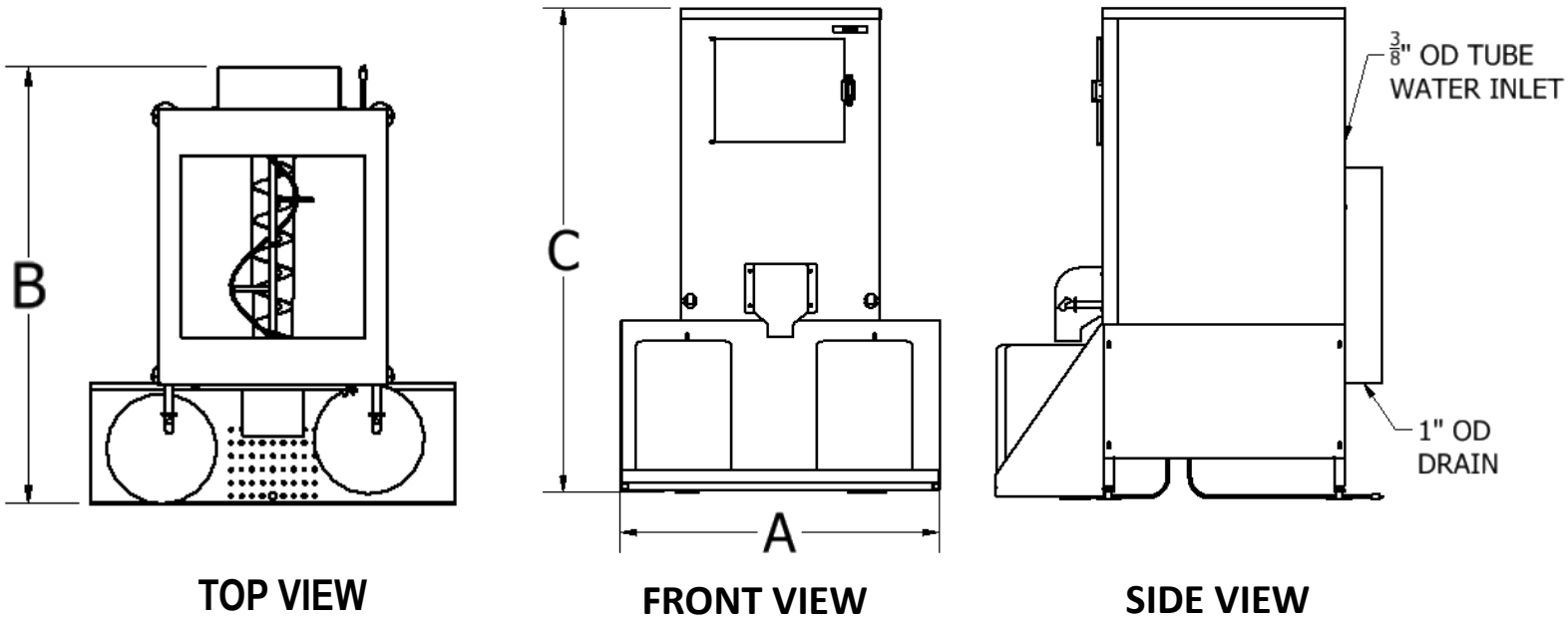
- Factory/ Manufacturing
- Mining
- Agriculture
- Sports Venue
- Golf Course
- Public Works
- Construction Site
- Water/ Amusement Park

9/17/2024 Printed in U.S.A.

Model Number

DISP-500-IND-TF

Ice & Water Dispenser



TOP VIEW

FRONT VIEW

SIDE VIEW

| Model Number | Capacity lbs (kg) | A-Width in (mm) | B-Depth* in (mm) | C-Height in (mm) | Minimum Door Clearance in (mm) | Ship Weight lbs (kg) |
|-----------------|-------------------|-----------------|------------------|------------------|--------------------------------|----------------------|
| DISP-500-IND-TF | 500 (227) | 48 (1,219) | 59 (1,499) | 72 (1,829) | 48 (1,219) | 585 (266) |

*Depth includes 23" for the electrical components, ice chute, & shelf

OPTIONS:

- Stainless steel liner
- Fully welded stainless steel liner (coved corners)
- Power Conversion

AVAILABLE ACCESSORIES:

- Bagger Kit
- Scoops
- Totes
- Carts

Toll Free Phone: 1-800-346-3246 Local Phone: 303-761-1615

Email: sales@kloppenberg.com

Please send all PO's to purchaseorders@kloppenberg.com